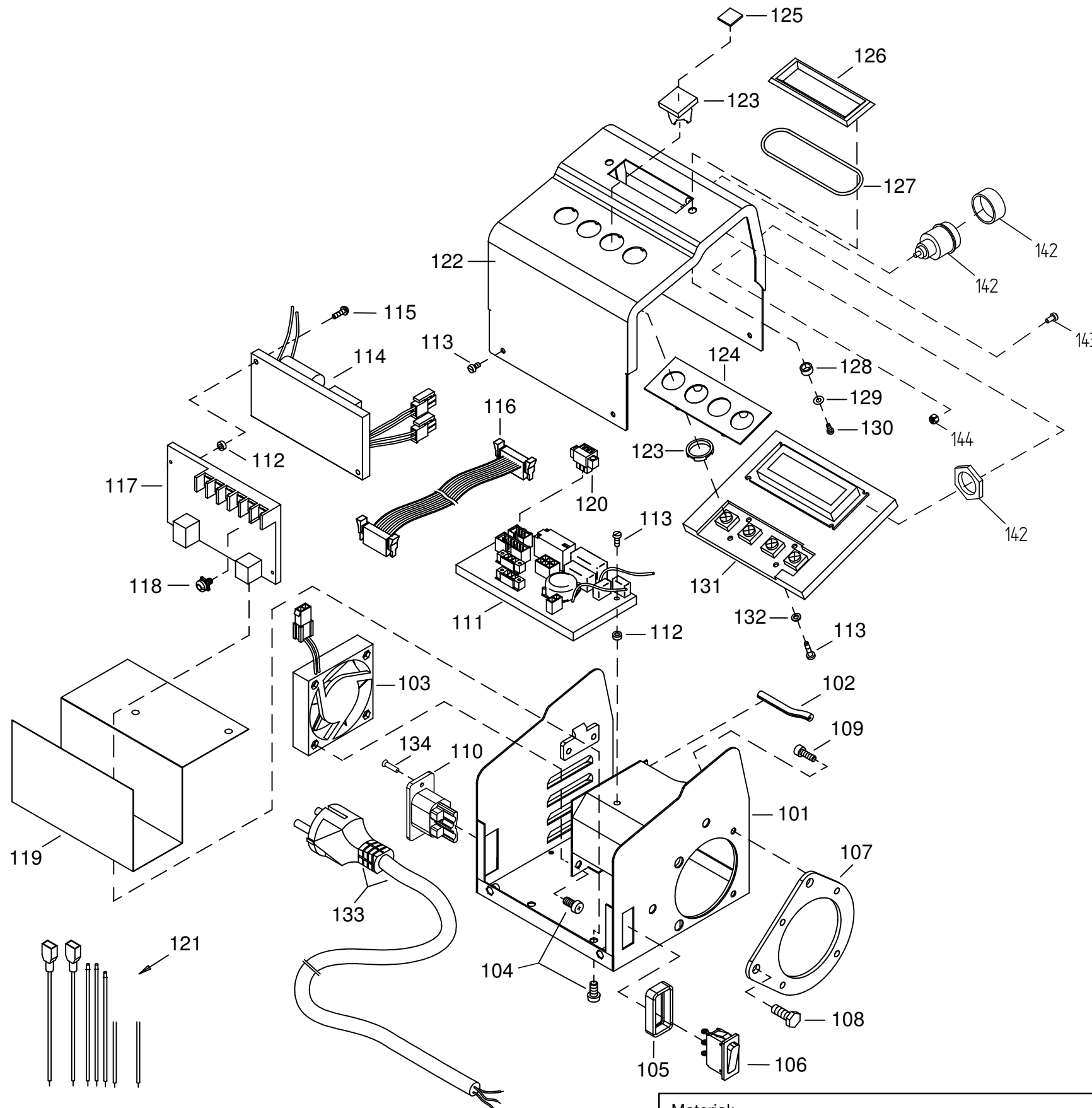


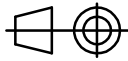
A

B

C

D



Material:				Volume:		
Date	Drawn by	Electronics Examo-USB			Sheet	
19.11.2008	bdu				1	
Date	Checked by				of	
				1		
LEISTER Process Technologies CH-6060 Sarnen		Format	Scale		Drawing number	Revision
		A3	%		020.327	01

This document and the information in it contained are property of LEISTER and as such, they are to be considered reserved.
 © Therefore, any reproduction in any form or by any means, without prior written permission of LEISTER is forbidden.