

A

B

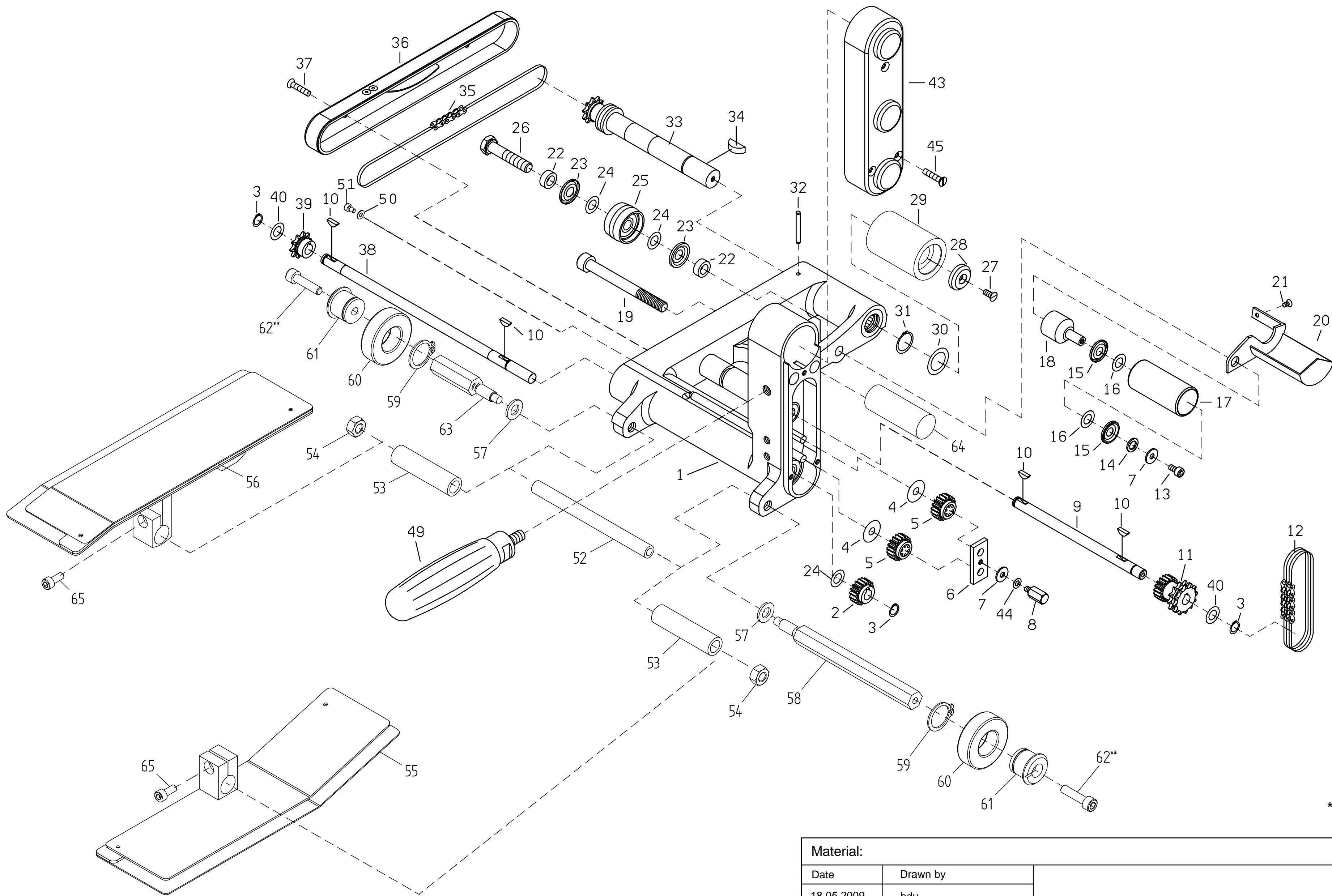
C

D

1

2

3



**With Loctite 624 locked

Material:				Volume:		
Date	Drawn by	Lower part			Sheet	
18.05.2009	bdu				1	
Date	Checked by				of	
26.04.2010	gdm				1	
LEISTER Process Technologies CH-6060 Sarnen		Format	Scale		Drawing number	Revision
		A3	%		020.372	A

This document and the information in it contained are property of LEISTER and as such, they are to be considered reserved. © Therefore, any reproduction in any form or by any means, without prior written permission of LEISTER is forbidden.