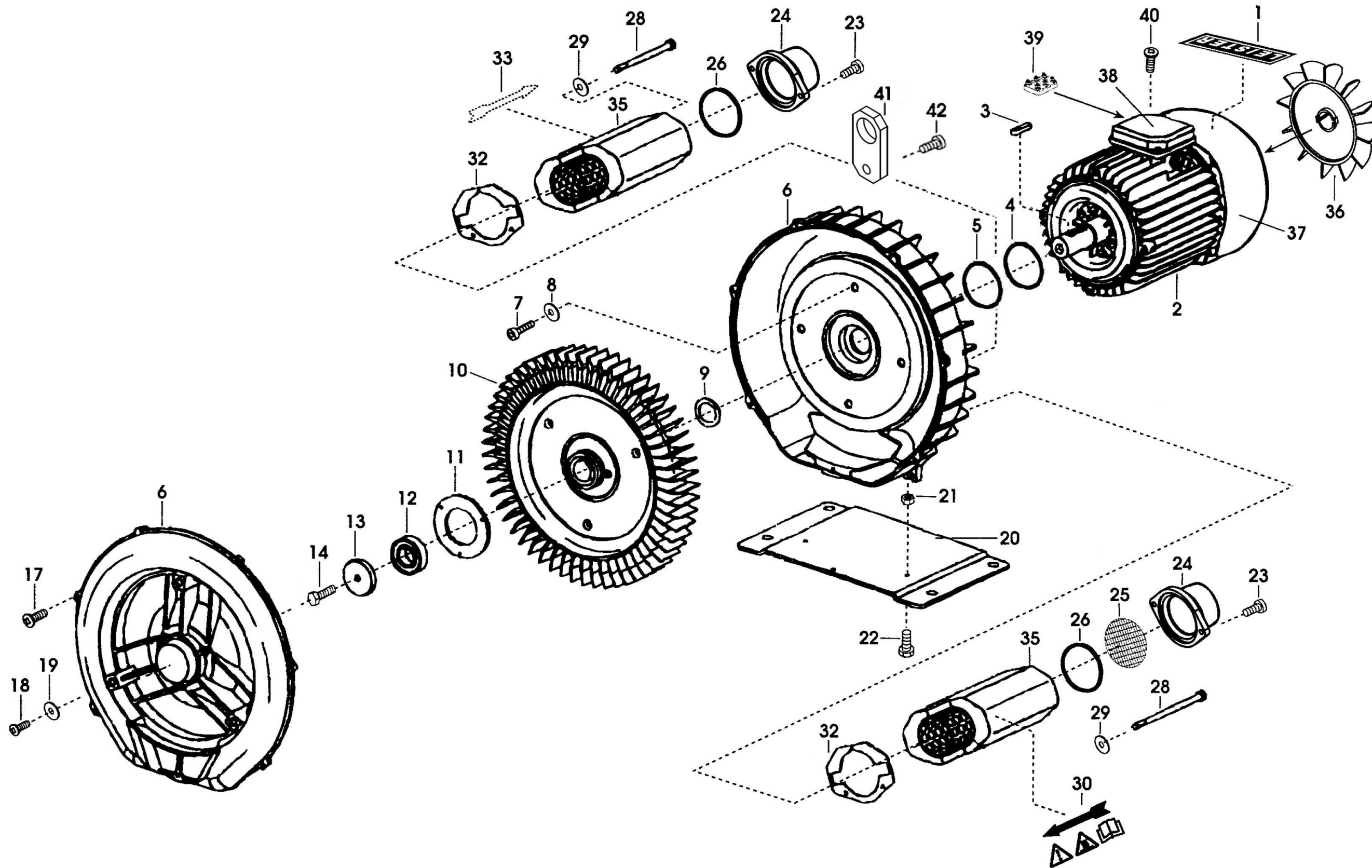


A

B

C

D



Material:				Volume:	
Date	Drawn by	Airpack			Sheet
04.02.2008	gdm				1
Date	Checked by				of
				1	Revision
LEISTER Process Technologies CH-6060 Sarnen		Format	Scale		Drawing number
		A3	%		020.265